

The MGS Group



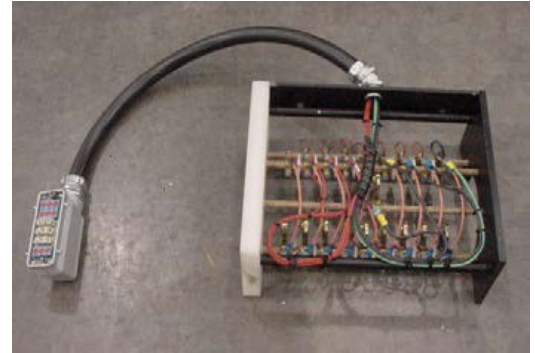
QUICK CHANGE SLIP RING BRUSHES AND HOLDERS

We all know of the maintenance issues related to Slip Ring Brushes and holders on Double Twist machines.

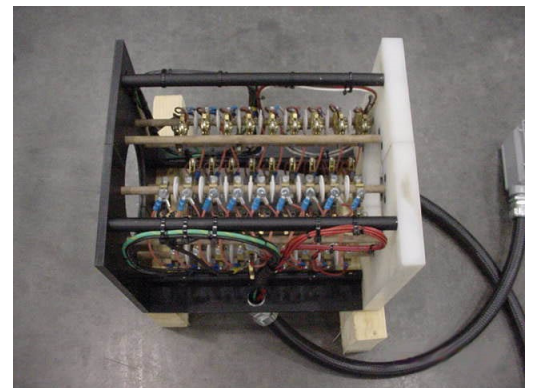
Northampton Machinery (Part of The MGS Group) has developed the latest Quick Change system to keep the Northampton Machines running for longer and keeping the down time to a minimum.

Main features:

- Suitable for New and older NMC Double twist machines, from SLB1000/1250/1600 machines.
- Both the Inner and outer Brush Holder assemblies are removed in minutes.
- Plugs and sockets used for quick disconnection of the cables.
- Brush tension with constant pressure.
- Longer brush life
- Brush holder made from a new plastic construction holding the quick release brush.
- Brush holders are clamped together.
- Low brush indicator
- All brushes are the same size, ideal for the control of keeping spares.



One half of Brush Holder assembly, complete with cables and new plug arrangement.



Complete inner Brush Holder assembly.



Sockets for the Inner Slip Ring Brush holder cables.

RETROFIT KITS FOR MACHINES IN SERVICE.

Not only will Northampton Machinery (part of The MGS Group) be supplying all of our future new machines with the new quick-change system, we are offering this latest design as retrofit kits for the existing machines already in service.

The kits will include:

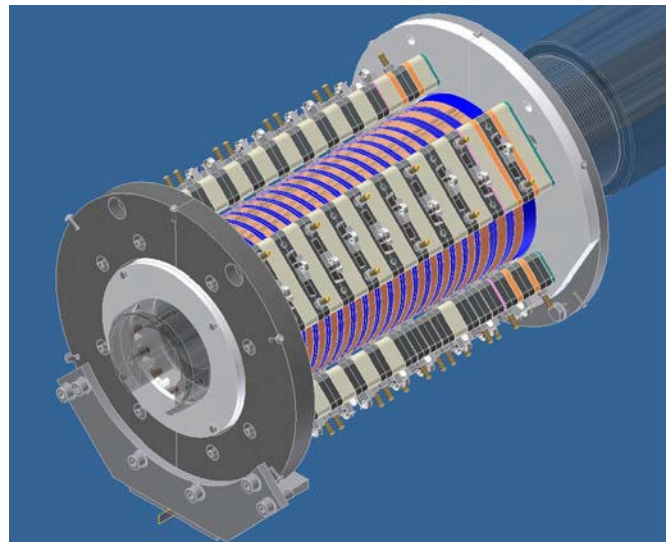
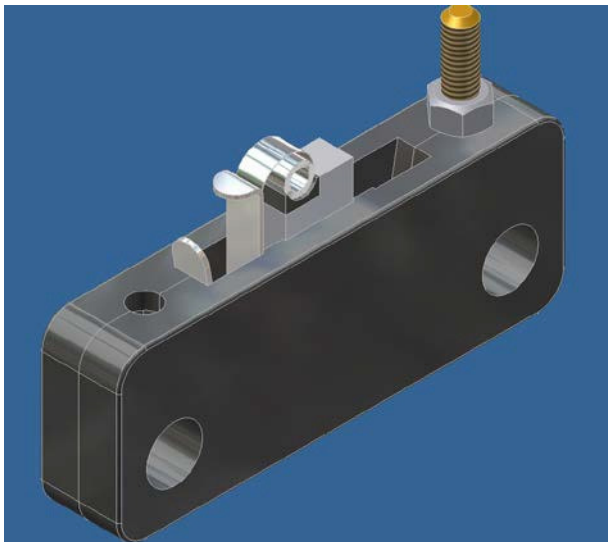
- Complete inner brush holder assembly – new split version
- Complete outer brush holder assembly – new split version
- Set of new longer life brushes
- Plugs and sockets and cables to modify on the existing machines.

Our Engineering Service Department is able to provide a technician to visit site and remove the existing set up and fit the above retrofit kits. Prices are available upon request.

SERVICE EXCHANGE

Due to the ease and speed of being able to remove and replace the new brush holder assemblies, we recommend that a spare set be kept already set up and available to put on the machine, enabling the machine to get back into production as quickly as possible.

Then with the removed assembly, Northampton Machinery Co (part of The MGS Group) can provide you with a service exchange unit.



The MGS Group

www.themgsgroup.com | sales@themgsgroup.com | 315-337-3350

MGS Manufacturing
122 Otis Street
Rome, NY 13441 USA

Hall Industries
8C Commerce Drive
North Branford, CT 06471 USA

Northampton Machinery Co.
7 Deer Park Road
Northampton NN3 6RX England